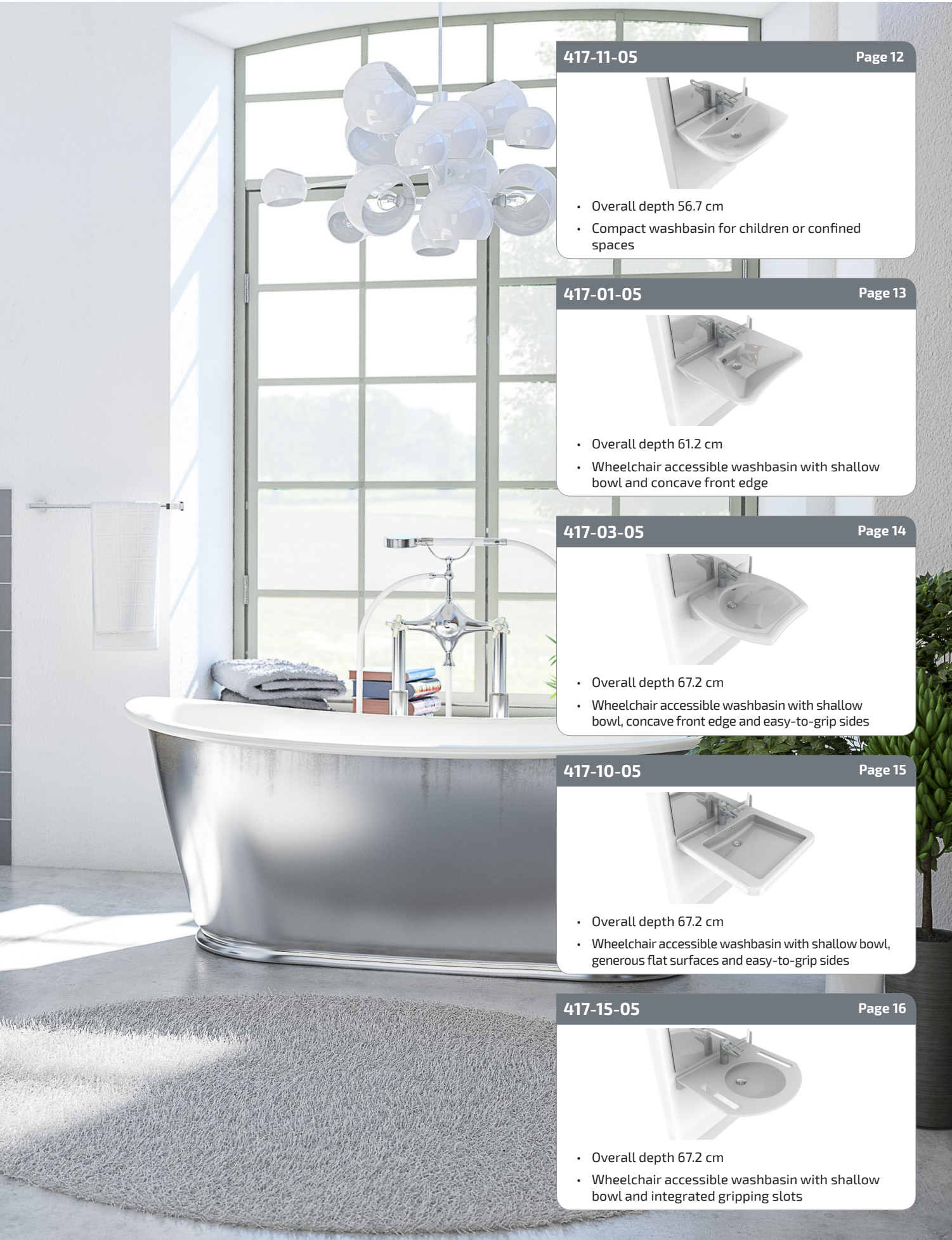


Designline 417

Electric height-adjustable washbasin module with mirror and lighting

- Width 71.5 cm
- Modern design with multiple colour choices
- Mirror and lighting move in tandem with basin
- Plumbing connections are elegantly concealed in the lifting unit
- Easy-to-use hand controller





417-11-05

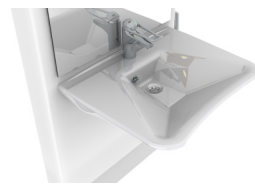
Page 12



- Overall depth 56.7 cm
- Compact washbasin for children or confined spaces

417-01-05

Page 13



- Overall depth 61.2 cm
- Wheelchair accessible washbasin with shallow bowl and concave front edge

417-03-05

Page 14



- Overall depth 67.2 cm
- Wheelchair accessible washbasin with shallow bowl, concave front edge and easy-to-grip sides

417-10-05

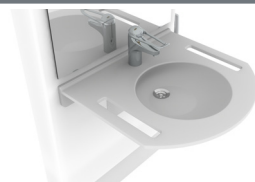
Page 15



- Overall depth 67.2 cm
- Wheelchair accessible washbasin with shallow bowl, generous flat surfaces and easy-to-grip sides

417-15-05

Page 16



- Overall depth 67.2 cm
- Wheelchair accessible washbasin with shallow bowl and integrated gripping slots



Functions and advantages

- Legroom under the washbasin, 445 mm
- Distance to mixer lever, 225 mm
- Compact washbasin for children or confined spaces

Standard equipment

- Washbasin (425-011)
- Mixer (425-105)
- Mirror and lighting bar
- Flexible drain hose with drainage trap
- Flexible water hoses
- Hand controller with coiled cable




Optional extras

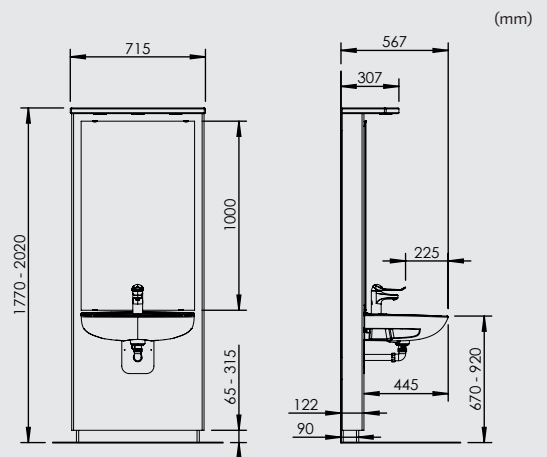
- Safety breaker

Specifications

| | |
|--------------------------------|---|
| Lift model | Electric steplessly height-adjustable washbasin module with mirror and lighting |
| Legroom | 445 mm |
| Mixer | 150 mm lever. Distance to mixer lever, 225 mm |
| Overall depth from wall | 567 mm |
| Washbasin | Porcelain washbasin 600x445 mm, incl. overflow and bottom drain with plug |
| Max load, washbasin | 50 kg |
| Operation | Cable controller with hook, IP65 |
| Width | 715 mm |
| Installation | Wall mounted |
| Height adjustment | 250 mm |
| Speed | 18 mm/sec. |
| Lifting force | 100 kg |
| Electrical connection | Plug for 230 V, max 1.5A |
| Lighting | Lighting ramp: Solid oiled oak with 3 recessed spotlights (connected to external power switch) Spotlights: LED 3W, 3000K Transformer: 230V |
| Enclosure class | IPX4 |
| Safety | Safety switch available as an option |
| Material-specification | Back panel: Plywood coated with high-pressure laminate Mirror: 1000/600/4 mm in silver-backed float glass with ground edges incl. mirror clips Mounting cover: White plastic |
| Plumbing connections | Flexible water hoses and drain hose with water trap |
| | CE |



| Art. no. | Designation |
|---|---|
|  417-11-0501 | DESIGNLINE 417-11-0501, White - incl. single lever mixer with 150 mm lever |
|  417-11-0505 | DESIGNLINE 417-11-0505, Oak - incl. single lever mixer with 150 mm lever |
|  417-11-0510 | DESIGNLINE 417-11-0510, Black - incl. single lever mixer with 150 mm lever |



01 - White laminate (Formica F7949, white)
05 - Oak laminate (Formica K6149, oak).
10 - Black laminate (Formica 2253, black)

Also available in a selection of Formica laminate

Security system Page 59





Functions and advantages

- Legroom under the washbasin, 490 mm
- Distance to mixer lever, 265 mm
- Wheelchair accessible washbasin with shallow bowl and concave front edge

Standard equipment

- Washbasin (425-001)
- Mixer (425-105)
- Mirror and lighting bar
- Flexible drain hose with drainage trap
- Flexible water hoses
- Hand controller with coiled cable

Optional extras

- Safety breaker



Specifications

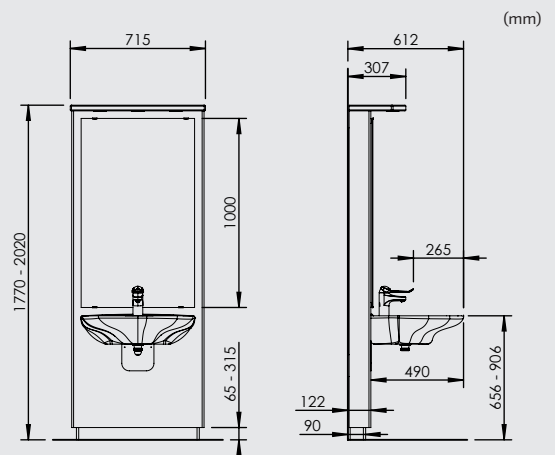
| | |
|--------------------------------|---|
| Lift model | Electric steplessly height-adjustable washbasin module with mirror and lighting |
| Legroom | 490 mm |
| Mixer | 150 mm lever. Distance to mixer lever 265 mm |
| Overall depth from wall | 612 mm |
| Washbasin | Porcelain washbasin 600x490 mm, incl. overflow and bottom drain with plug |
| Max load, washbasin | 50 kg |
| Operation | Cable controller with hook, IP65 |
| Width | 715 mm |
| Installation | Wall mounted |
| Height adjustment | 250 mm |
| Speed | 18 mm/sec. |
| Lifting force | 100 kg |
| Electrical connection | Plug for 230 V, max 1.5A |
| Lighting | Lighting ramp: Solid oiled oak with 3 recessed spotlights (connected to external power switch) Spotlights: LED 3W, 3000K Transformer: 230V |
| Enclosure class | IPX4 |
| Safety | Safety switch available as an option |
| Material-specification | Back panel: Plywood coated with high-pressure laminate Mirror: 1000/600/4 mm in silver-backed float glass with ground edges incl. mirror clips Mounting cover: White plastic |
| Plumbing connections | Flexible water hoses and drain hose with water trap |
| | CE |

| Art. no. | Designation |
|---|---|
|  417-01-0501 | DESIGNLINE 417-01-0501, White - incl. single lever mixer with 150 mm lever |
|  417-01-0505 | DESIGNLINE 417-01-0505, Oak - incl. single lever mixer with 150 mm lever |
|  417-01-0510 | DESIGNLINE 417-01-0510, Black - incl. single lever mixer with 150 mm lever |

- 01 - White laminate (Formica F7949, white)
- 05 - Oak laminate (Formica K6149, oak).
- 10 - Black laminate (Formica 2253, black)

Also available in a selection of Formica laminate

Security system Page 69





Functions and advantages

- Legroom under the washbasin, 550 mm
- Distance to mixer lever, 324 mm
- Wheelchair accessible washbasin with shallow bowl, concave front edge and easy-to-grip sides

Standard equipment

- Washbasin (425-003)
- Mixer (425-105)
- Mirror and lighting bar
- Flexible drain hose with drainage trap
- Flexible water hoses
- Hand controller with coiled cable

Optional extras

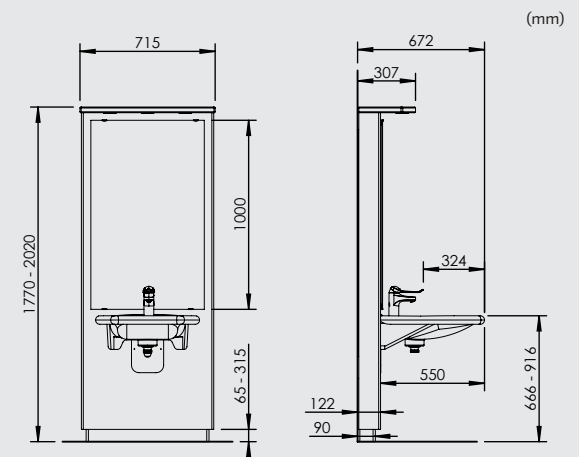
- Safety breaker

Specifications

| | |
|--------------------------------|---|
| Lift model | Electric steplessly height-adjustable washbasin module with mirror and lighting |
| Legroom | 550 mm |
| Mixer | 150 mm lever. Distance to mixer lever, 324 mm |
| Overall depth from wall | 672 mm |
| Washbasin | Porcelain washbasin 550x550 mm, incl. overflow and bottom drain with plug |
| Max load, washbasin | 50 kg |
| Operation | Cable controller with hook, IP65 |
| Width | 715 mm |
| Installation | Wall mounted |
| Height adjustment | 250 mm |
| Speed | 18 mm/sec. |
| Lifting force | 100 kg |
| Electrical connection | Plug for 230 V, max 1.5A |
| Lighting | Lighting ramp: Solid oiled oak with 3 recessed spotlights (connected to external power switch) Spotlights: LED 3W, 3000K Transformer: 230V |
| Enclosure class | IPX4 |
| Safety | Safety switch available as an option |
| Material-specification | Back panel: Plywood coated with high-pressure laminate Mirror: 1000/600/4 mm in silver-backed float glass with ground edges incl. mirror clips Mounting cover: White plastic |
| Plumbing connections | Flexible water hoses and drain hose with water trap |
| | CE |



| Art. no. | Designation |
|---|---|
|  417-03-0501 | DESIGNLINE 417-03-0501, White - incl. single lever mixer with 150 mm lever |
|  417-03-0505 | DESIGNLINE 417-03-0505, Oak - incl. single lever mixer with 150 mm lever |
|  417-03-0510 | DESIGNLINE 417-03-0510, Black - incl. single lever mixer with 150 mm lever |



01 - White laminate (Formica F7949, white)
05 - Oak laminate (Formica K6149, oak).
10 - Black laminate (Formica 2253, black)

Also available in a selection of Formica laminate





Functions and advantages

- Legroom under the washbasin, 550 mm
- Distance to mixer lever, 330 mm
- Wheelchair accessible washbasin with shallow bowl, generous flat surfaces and easy-to-grip sides

Standard equipment

- Washbasin (425-010)
- Mixer (425-105)
- Mirror and lighting bar
- Flexible drain hose with drainage trap
- Flexible water hoses
- Hand controller with coiled cable

Optional extras

- Safety breaker

Specifications

| | |
|--------------------------------|---|
| Lift model | Electric steplessly height-adjustable washbasin module with mirror and lighting |
| Legroom | 550 mm |
| Mixer | 150 mm lever. Distance to mixer lever, 330 mm |
| Overall depth from wall | 672 mm |
| Washbasin | Porcelain washbasin 600x550 mm, incl. overflow and bottom drain with plug |
| Max load, washbasin | 50 kg |
| Operation | Cable controller with hook, IP65 |
| Width | 715 mm |
| Installation | Wall mounted |
| Height adjustment | 250 mm |
| Speed | 18 mm/sec. |
| Lifting force | 100 kg |
| Electrical connection | Plug for 230 V, max 1.5A |
| Lighting | Lighting ramp: Solid oiled oak with 3 recessed spotlights (connected to external power switch) Spotlights: LED 3W, 3000K Transformer: 230V |
| Enclosure class | IPX4 |
| Safety | Safety switch available as an option |
| Material-specification | Back panel: Plywood coated with high-pressure laminate Mirror: 1000/600/4 mm in silver-backed float glass with ground edges incl. mirror clips Mounting cover: White plastic |
| Plumbing connections | Flexible water hoses and drain hose with water trap |
| | CE |

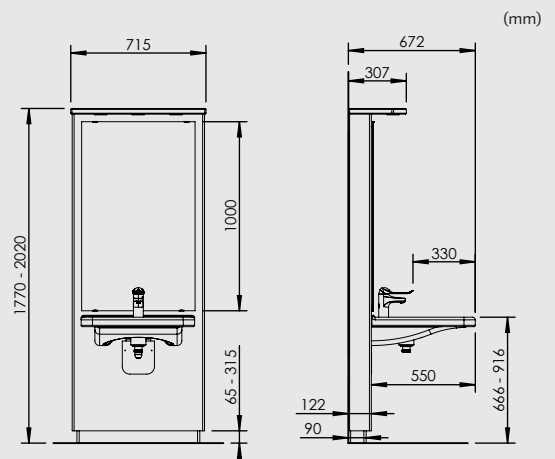


| Art. no. | Designation |
|---|---|
|  417-10-0501 | DESIGNLINE 417-10-0501, White - incl. single lever mixer with 150 mm lever |
|  417-10-0505 | DESIGNLINE 417-10-0505, Oak - incl. single lever mixer with 150 mm lever |
|  417-10-0510 | DESIGNLINE 417-10-0510, Black - incl. single lever mixer with 150 mm lever |

- 01 - White laminate (Formica F7949, white)
- 05 - Oak laminate (Formica K6149, oak).
- 10 - Black laminate (Formica 2253, black)

Also available in a selection of Formica laminate

Security system Page 69





Functions and advantages

- Legroom under the washbasin, 550 mm
- Distance to mixer lever, 315 mm
- Wheelchair accessible washbasin with shallow bowl and integrated gripping slots

Standard equipment

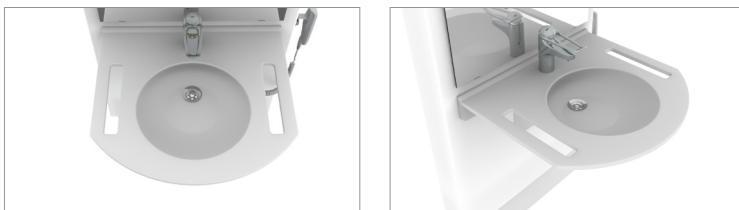
- Washbasin, excl. overflow (425-015)
- Mixer (425-105)
- Mirror and lighting bar
- Flexible drain hose with drainage trap
- Flexible water hoses
- Hand controller with coiled cable

Optional extras

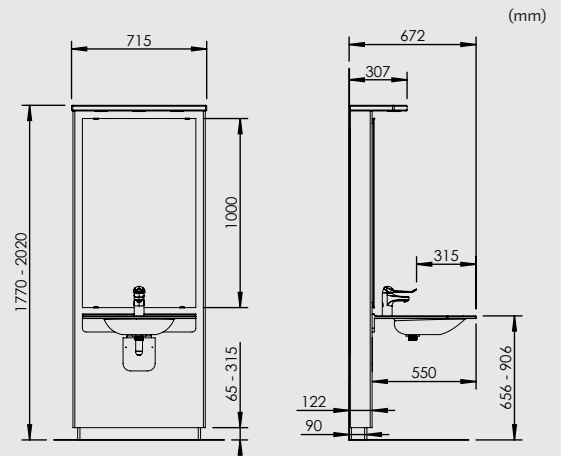
- Safety breaker

Specifications

| | |
|--------------------------------|---|
| Lift model | Electric steplessly height-adjustable washbasin module with mirror and lighting |
| Legroom | 550 mm |
| Mixer | 150 mm lever. Distance to mixer lever, 315 mm |
| Overall depth from wall | 672 mm |
| Washbasin | Wash basin of solid surface material with integrated grab handles 600x550 mm, excl. overflow |
| Max load, washbasin | 50 kg |
| Operation | Cable controller with hook, IP65 |
| Width | 715 mm |
| Installation | Wall mounted |
| Height adjustment | 250 mm |
| Speed | 18 mm/sec. |
| Lifting force | 100 kg |
| Electrical connection | Plug for 230 V, max 1.5A |
| Lighting | Lighting ramp: Solid oiled oak with 3 recessed spotlights (connected to external power switch) Spotlights: LED 3W, 3000K Transformer: 230V |
| Enclosure class | IPX4 |
| Safety | Safety switch available as an option |
| Material-specification | Back panel: Plywood coated with high-pressure laminate Mirror: 1000/600/4 mm in silver-backed float glass with ground edges incl. mirror clips Mounting cover: White plastic |
| Plumbing connections | Flexible water hoses and drain hose with water trap |
| | CE |



| Art. no. | Designation |
|---|---|
|  417-15-0501 | DESIGNLINE 417-15-0501, White - incl. single lever mixer with 150 mm lever |
|  417-15-0505 | DESIGNLINE 417-15-0505, Oak - incl. single lever mixer with 150 mm lever |
|  417-15-0510 | DESIGNLINE 417-15-0510, Black - incl. single lever mixer with 150 mm lever |



- 01 - White laminate (Formica F7949, white)
- 05 - Oak laminate (Formica K6149, oak)
- 10 - Black laminate (Formica 2253, black)

Also available in a selection of Formica laminate





Functions and advantages

- Basin lifter for the optional washbasin

Standard equipment




- Mirror and lighting bar
- Hand controller with coiled cable

Recommended options

- Washbasin
- Mixer
- Flexible water hoses
- Flexible drain hose with drainage trap
- Safety breaker

Specifications

| | |
|-------------------------------|---|
| Lift model | Electric steplessly height-adjustable washbasin module with mirror and lighting |
| Operation | Cable controller with hook, IP65 |
| Width | 715 mm |
| Installation | Wall mounted |
| Height adjustment | 250 mm |
| Speed | 18 mm/sec. |
| Lifting force | 100 kg |
| Electrical connection | Plug for 230 V, max 1.5A |
| Lighting | Lighting ramp: Solid oiled oak with 3 recessed spotlights (connected to external power switch) Spotlights: LED 3W, 3000K Transformer: 230V |
| Enclosure class | IPX4 |
| Safety | Safety switch available as an option |
| Suitable basins | Max. weight: 40 kg Max width 670 mm Max depth: 600 mm Attachment: Washbasin, bolt installation centre-to-centre 280 mm |
| Material-specification | Back panel: Plywood coated with high-pressure laminate Mirror: 1000/600/4 mm in silver-backed float glass with ground edges incl. mirror clips Mounting cover: White plastic |
| Plumbing connections | Flexible water hoses and drain hose with water trap |
| | CE |

| Art. no. | Designation |
|--|--|
|  417-0-01 | DESIGNLINE 417-0-01, White - Excl. water hoses and drain hose |
|  417-0-05 | DESIGNLINE 417-0-05, Oak - Excl. water hoses and drain hose |
|  417-0-10 | DESIGNLINE 417-0-10, Black - Excl. water hoses and drain hose |

Washbasin




Page 62

Mixer



Page 65

Hoses



Page 68

Safety system



Page 69

Control buttons



Page 69

01 - White laminate (Formica F7949, white)
05 - Oak laminate (Formica K6149, oak).
10 - Black laminate (Formica 2253, black)
Also available in a selection of Formica laminate.

